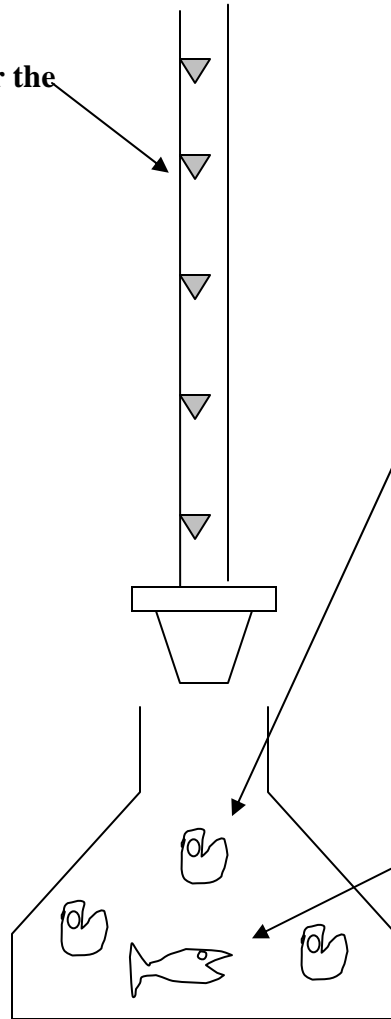


### 1. Before Turning Point

$\text{OH}^-$  (food for the Pacman)

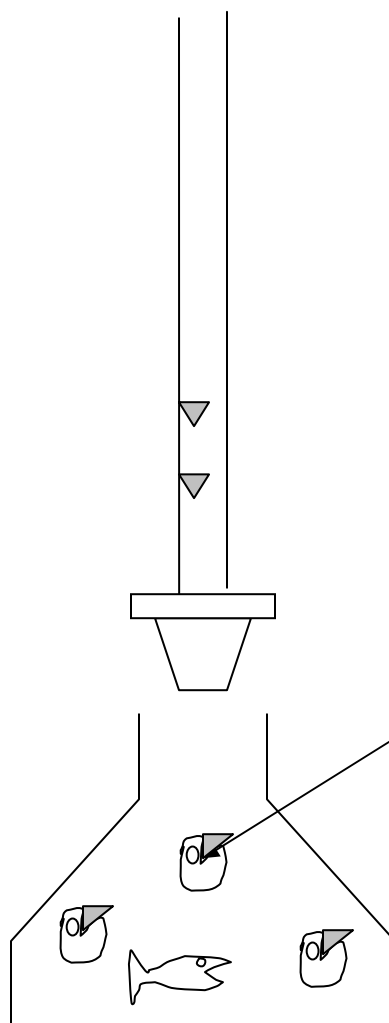


$\text{H}^+$  = Pacman.

The more Pacmen there are, the more food ( $\text{OH}^-$ ) you need to stuff the Pacmen. By using a burette to measure the amount of food you need to stuff the pacmen, it gives you an idea of how many pacmen are in the flask.

Phenolphthalein Indicator (fish, who can't eat until pacmen are fed)

## 2. At Neutralization Just Before Turning Point



**But how  
will you  
know  
when all  
the  
pacmen  
have been**

$H^+$  = Pacmen are stuffed.  
Finally the  
fish(phenolphthalein) are  
permitted to eat.

### 3. At Turning Point

